



Lifting / tipping device

1550-2050 mm

Left side, stationary

90° rotated fork

Art.-Nr.: 4.002.02

Lifting / tipping device 1550-2050 mm with 90° rotated fork

The device is created for light, comfortable lifting and tipping of eurobins/buggies DIN 9797.

The device consists of a column, an engine with brake, drive (with two chains) and fork (the fork can be straight or rotated)

The devices are made of stainless steel 1.4301, except for a pusher, chains and its circles.

The safety system is a standard construction (two chains).

The lifting and tipping devices can be stationary or mobile (only by max. tipping height up to 2550 mm), left or right construction.

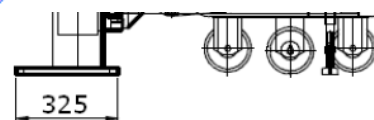
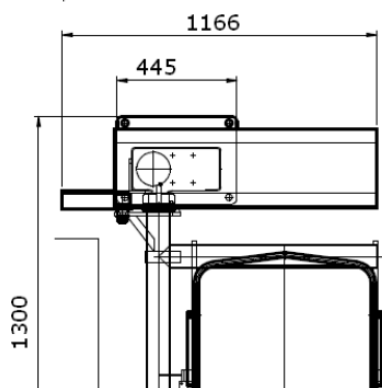
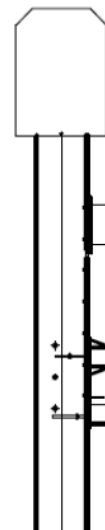
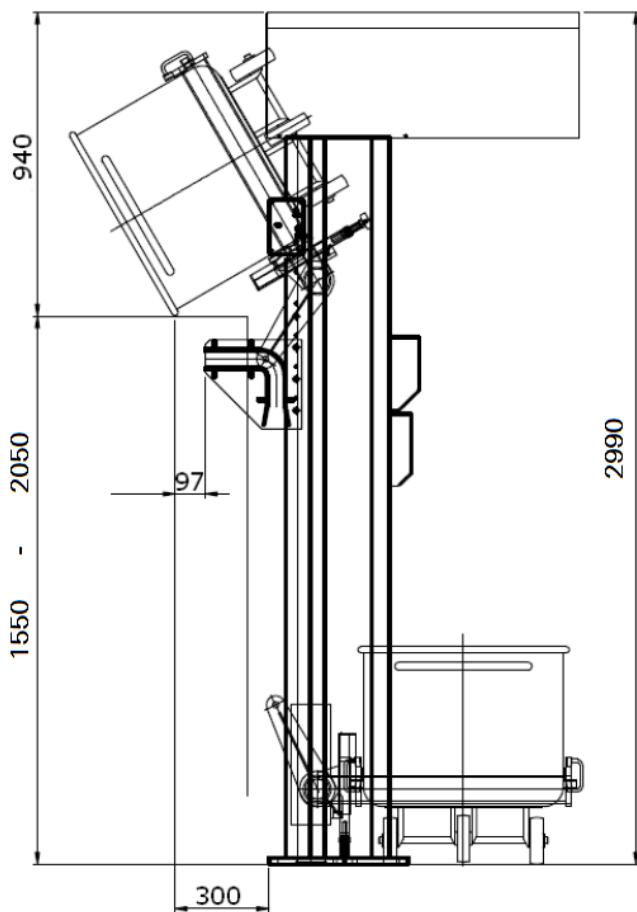
By tipping height over 3050 mm the devices have to be attached to the wall or ceiling

The machines are according to EU-guidelines /Council Directives Nr. 2006/42/EC and 2006/95/EC and the USDA-Regulations.

Art.-Nr.: 4.002.02

Technical data:

Tipping height:	1550-2050 mm (adjustment 5x 100 mm)
Power supply:	3 x 400/ 50 Hz
Control voltage:	24 V AC
performance:	0.8 kW
protection type:	IP 65
speed:	5 m/min
length:	937 mm
width:	325 mm
forks width :	1.300mm
total heigth:	2.990 mm



F&L GmbH Partner für Hygiene & Fördertechnik
Lindenpark 16 Tel: 033652-82280
D- 15898 Neuzelle
www.flnet.de Fax: 033652-822827
info@flnet.de

F&L GmbH Partner für Hygiene & Fördertechnik
Lindenpark 16 Tel: 033652-82280
D- 15898 Neuzelle