



Schrumpf tank

Art.-Nr.: 3.701.20



Schrumpf tank

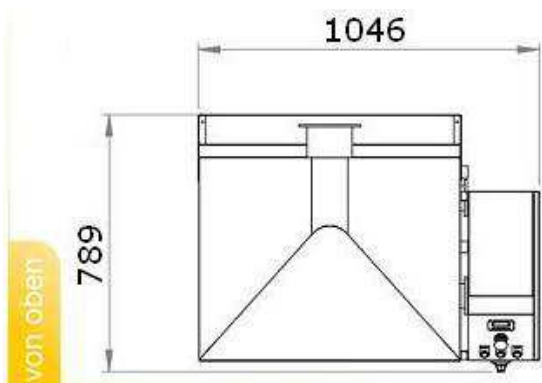
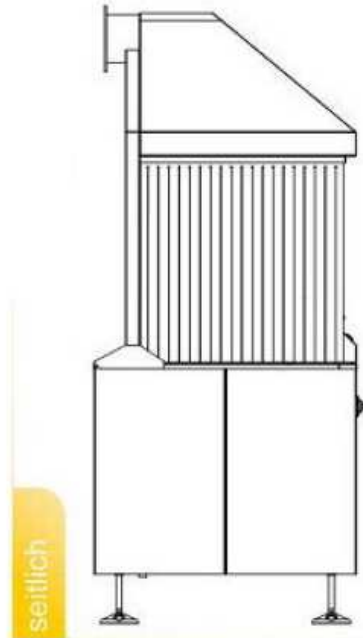
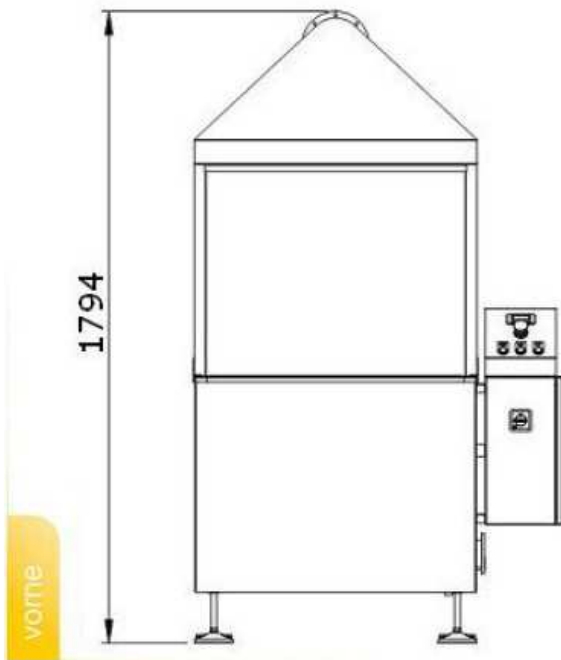
The machine is entirely made of stainless steel 1.4301 DIN (AISI 304) with permission for contact with food- according to the standard. The sucking out is as an option offered. The machines are according to EU-guidelines /Council Directives Nr. 2006/42/EC and 2006/95/EC and the USDA-Regulations.

technical data

cheese dimensions:	400/ 600 mm
Max. weighth:	50 Kg
performance:	18.5 kW
power supply:	400V/3Ph/50Hz
air:	5 bar
heating - 2 pcs.:	2 x 9kW
cycle:	12 pcs./min
capacity:	200 dm ³ (l)
weighth:	150 Kg
length mm	1046
widht mm	789
heighth mm	1794

technical drawings

Art.-Nr.: 3.701.20



F&L GmbH Partner für Hygiene & Fördertechnik
Lindenpark 16 Tel: 033652-82280
D- 15898 Neuzelle
www.flnet.de Fax: 033652-822827
info@flnet.de