

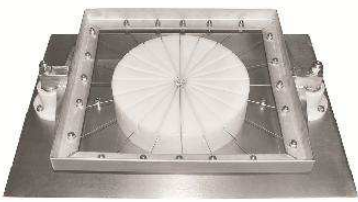
Cheese cutting machine

Art.-Nr.: 3.701.40

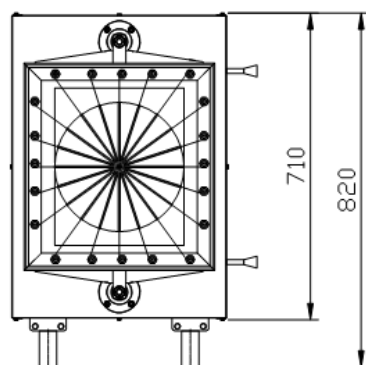
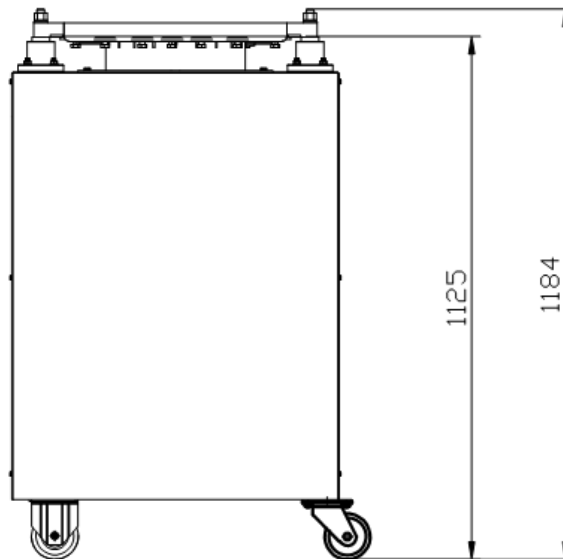
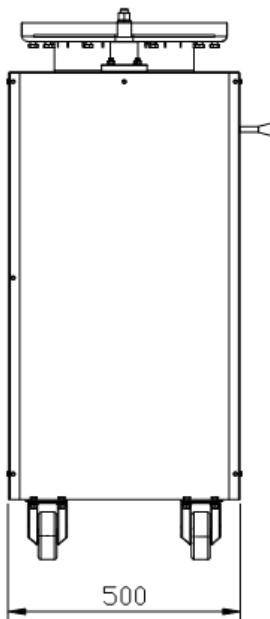
Cheese cutting machine

The machine is created for yellow cheese loaves cutting into equal blocks. The cutting tool can be build with strings (61.2736.12) or with knives (61.2736.12) The cutting tools forms are manufactured following the clients requirements; their change takes about 5-10 min. Manually controlled with pneumatic drive. The machine is entirely made of stainless steel 1.4301.

Art.-Nr.: 3.701.40



Technische Zeichnung



F&L GmbH Partner für Hygiene & Fördertechnik
Lindenpark 16
D- 15898 Neuzelle
www.flnet.de
info@flnet.de

Tel: 033652-82280
Fax: 033652-822827